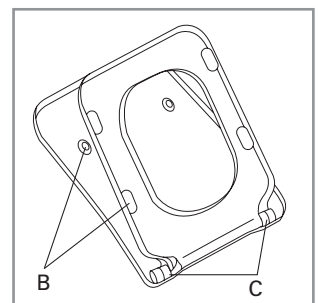
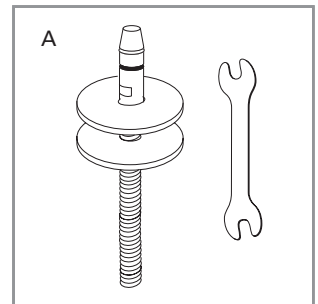
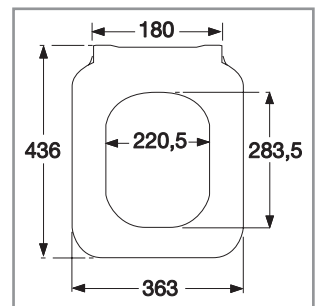


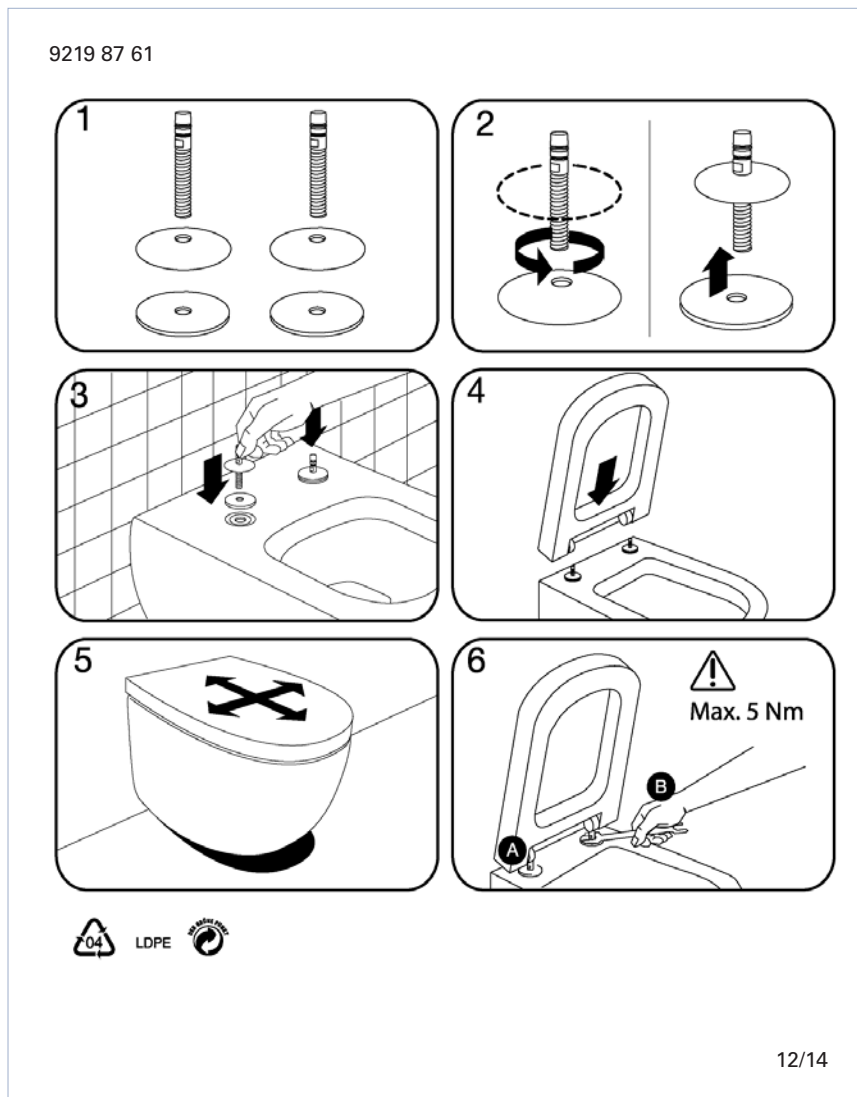
## Toilet seat Venticello Slimseat SC/QR

<b>Model</b>	<b>9M79 S1</b> Venticello slimseat toilet seat, incl. 9219 87 61 top mounted fixed hinge
<b>Product Description</b>	Venticello slimseat toilet seat in Wrap Over design made of colour ingrained duroplast with hinge in stainless steel - incl. top mounted fixed hinge in stainless steel - centre distance: 180 mm - load of ring seat: 240 kg - 10 year guarantee
<b>Colour Programme</b>	01 White (Alpin)
<b>Hinge Finish</b>	61 Stainless steel
<b>Spare Parts</b>	A) 9219 87 61 Top mounted fixed hinge B) 9219 86 00 Buffers for seat and cover C) 9224 35 00 Damper set
<b>Cleaning Instructions</b>	Use a mild soap solution. Seat and hinge should not be left damp, but be dried with a soft cloth. When using abrasive, corrosive or chlorine based cleaners for the bowl, avoid contact with seat and hinge as it may lead to damages or flash rust. Therefore, when cleaning the bowl, make sure that seat and cover are in an upright position until all the cleaner has been flushed away



# Toilet seat Venticello Slimseat SC/QR

## Instruction manual



[Click here for video](#)

## Material Description

**TOILET SEAT:** The material is colour ingrained duroplast (UF A 10 = urea formaldehyde) that contains no environmentally hazardous substances. The body consists of approx. 50% urea ( $\text{NH}_2\text{CONH}_2$ ), approx. 25% cellulose and approx. 25% formaldehyde (HCHO), as well as small amounts of various fillers and additives.

**BUFFERS:** EVA (copolymer made of ethylene and vinyl acetate).

**DAMPER KIT:** Hydraulic damper with stainless steel damper casing and plastic parts.  
Damper liquid: Anti-friction liquid.

**MOUNT/HINGE:** Stainless steel.

## Guarantee

The guarantee includes faults or defects in the material of our products within a period of 10 years. Products subject to minor technical modifications and design deviations E. & O.E.