

Technical Data

KLUDI COCKPIT DISCOVERY DUAL SHOWER SYSTEM DN 15

Ref.:
8020091-00

Finishes:
91 chrome/white

Product description
Manufacturer KLUDI GmbH & Co. KG
Typ: KLUDI COCKPIT DISCOVERY
DUAL SHOWER SYSTEM DN 15
Ref.: 8020091-00

thermostatic shower mixer DN 15
wall mounted
with place to keep 550 mm
with ceramic shut-off valve 90°/ 90°
diverter headshower-handshower
temperature handle with hotwater safety at 40°C
protected against back flow
shower outlet 1/2 inch
With fixing material

hand shower 1 S
1 spray pattern, Volumen
with cleaning system
connection 1/2", sieve seal

Shower hose
plastic coated
with metal-effect
with conical nuts
anti twist
G 1/2 x G 1/2 x 1600 mm

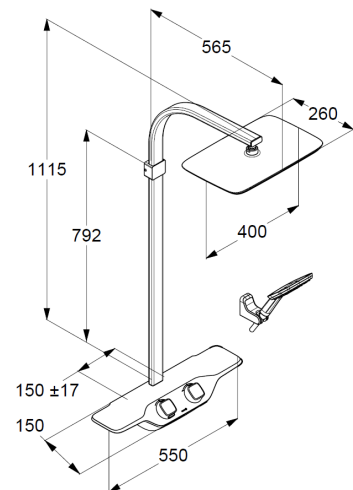
head shower 1 S
1 spray pattern
with cleaning system
connection 1/2"
with ball joint
400 x 260 mm
sieve seal

Wall mounted shower holder
vertically adjustable
for shower hoses with conical nuts,
With fixing material
for rigid wall mounting

Product picture



Dimensional drawing



Flow rate diagram

