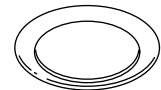
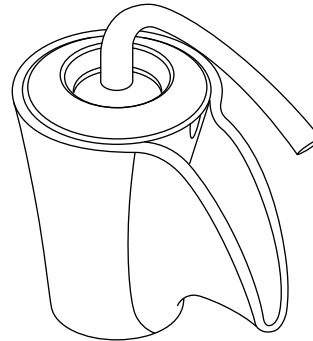


Features

- Ceramic spout
- Polished chrome lever handle and valve [K-11010, -VB, -VT]
- French gold lever handle and valve [-VC]
- One-piece self-contained ceramic disc valve allows both volume and temperature control
- Flexible supplies for easy installation
- Touch-activated drain with tailpiece
- 3-7/8" (98 mm) spout reach
- Single-hole mounting
- Stationary spout
- 1.5 gallons (5.7 liters) per minute maximum flow rate

CERAMIC BATHROOM SINK FAUCET K-11010

ADA CSA B651 OBC



Codes/Standards Applicable

Specified model meets or exceeds the following at date of manufacture:

- ADA
- CSA B651
- OBC
- ASME A112.18.1/CSA B125.1
- NSF 61
- All applicable US Federal and State material regulations
- EPA WaterSense®

Colors/Finishes

- 0: White
- 7: Black Black™
- 96: Biscuit
- NA: None applicable

Specified Model

Model	Description	Colors/Finishes			
		<input type="checkbox"/> 0	<input type="checkbox"/> 7	<input type="checkbox"/> 96	<input type="checkbox"/> Other _____
K-11010	Single-handle bathroom sink faucet	<input type="checkbox"/> 0	<input type="checkbox"/> 7	<input type="checkbox"/> 96	<input type="checkbox"/> Other _____
K-11010-VB	Single-handle bathroom sink faucet – with Imperial Blue™ design	<input type="checkbox"/> 0			
K-11010-VC	Single-handle bathroom sink faucet – with Cerana™ design			<input type="checkbox"/> 96	
K-11010-VT	Single-handle bathroom sink faucet – with Silkweave™ design	<input type="checkbox"/> 0			

Optional Accessories

Additional flow options are available (refer to the Kohler Price Book)

Product Specification

The single-handle bathroom sink faucet shall have a ceramic spout. Product shall have a maximum flow rate of 1.5 gallons (5.7 liters) per minute. Product shall be available with a polished chrome lever handle and valve [K-11010, -VB, -VT] or a French gold lever handle and valve [-VC]. Product shall feature a one-piece, self-contained ceramic disc valve, allowing both volume and temperature control. Product shall feature a 3-7/8" (98 mm) spout reach, flexible supplies for easy installation, a stationary spout, and a touch-activated drain with tailpiece. Product shall be for single-hole mounting. Faucet shall be Kohler Model K-11010-_____ or K-11010-_____-_____.

VAS®

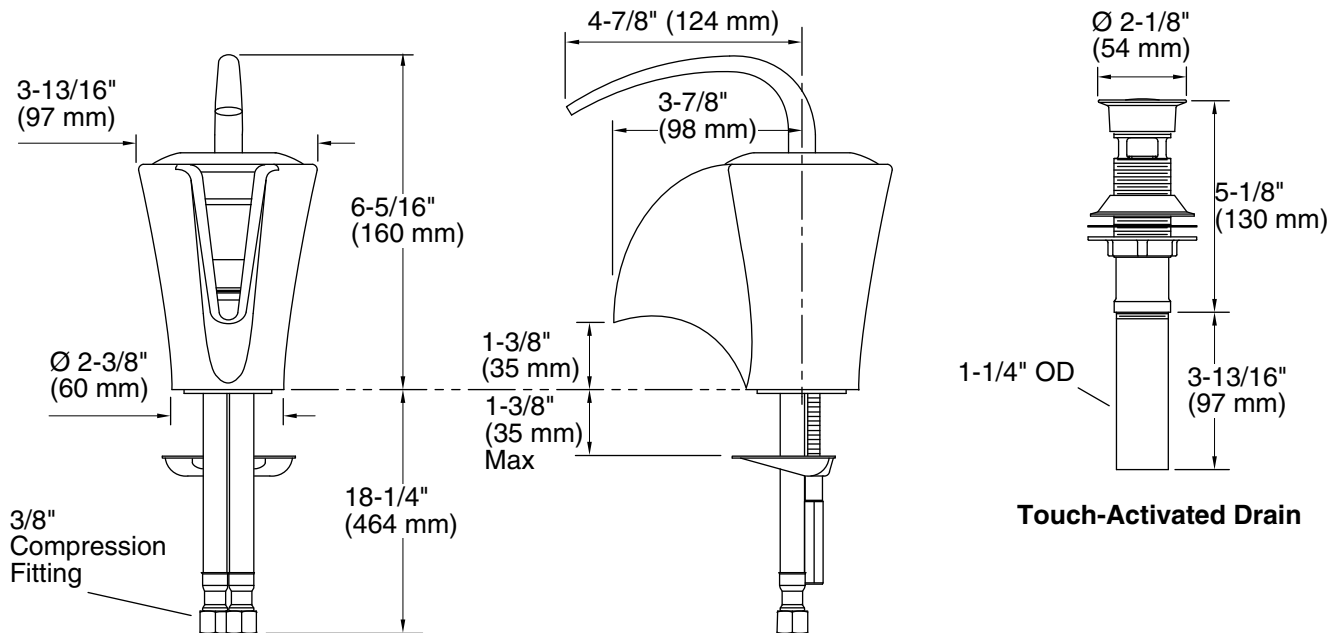
Technical Information

Included components:	
Drain	1035625

Installation Notes

Install this faucet according to the installation instructions provided.

ADA, CSA B651, OBC compliant when installed to the specific requirements of these regulations.



Product Diagram