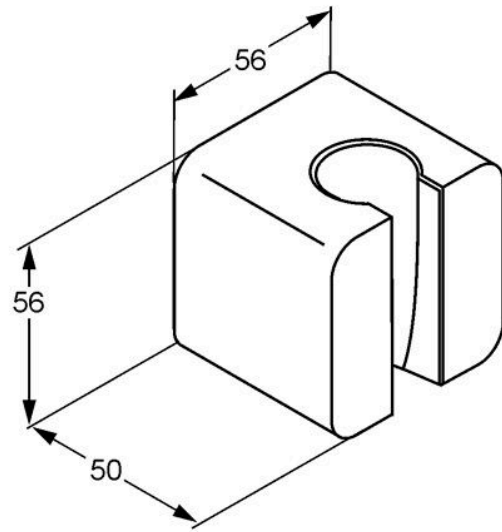


KLUDI-A-QA SHOWER HOOK



6555143-00

Bathroom Fittings



Technical Specification

Series:	KLUDI-A-QA
Color:	glossy white
Dimensions:	5 x 5.5 x 5.5mm

Name:

- KLUDI-A-QA
- fixed wall shower hook
- for hoses with conical nut
- with screws and dowels

Dimensions: All dimensions in mm. Tolerance of vitreous china & fireclay items: $\hat{A}\pm 5\%$ for below 200mm and $\hat{A}\pm 3\%$ for above 200mm; for all other items tolerance $\hat{A}\pm 1\%$. Note: Due to a continuing development program to improve design and performance, the manufacturer reserves all rights to vary specifications without prior information. Please note accessories are for photographic use only.