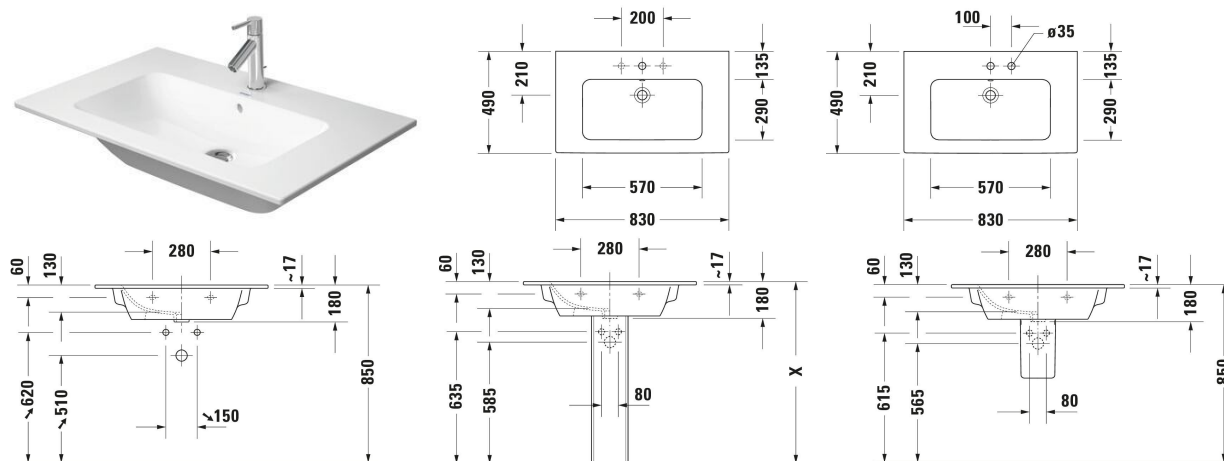


ME by Starck Washbasin # 233683..00 / 233683..60 /
233683..00 / 233683..60

|< 830 mm >|



Washbasin	Dimension	Weight	Order number
Rectangular, Tap hole platform: Yes, Overflow: Yes, Back side glazed: No, 830 mm			
Colors			
00 White Alpin 32 White Satin Matt			
Variant			
● White High Gloss, Number of washing areas: 1 Middle, Number of faucet holes per wash area: 1 Middle	830x180 mm	21.200 kg	233683..00
⊗ White High Gloss, Number of washing areas: 1 Middle	830x180 mm	21.200 kg	233683..60
● White Satin Matt, Number of washing areas: 1 Middle, Number of faucet holes per wash area: 1 Middle	830x180 mm	21.200 kg	233683..00
⊗ White Satin Matt, Number of washing areas: 1 Middle	830x180 mm	21.200 kg	233683..60
Infobox			
Space-saving siphon is recommended in conjunction with vanity unit			
Sanitary ceramics with the special WonderGliss surface finish will remain clean and attractive-looking for a long time to come. When ordering WonderGliss please add a "1" as eleventh digit to the model number.			
Accessory			
Space-saving siphon White, Connection dimensions: 1 1/4"	360 x 390 mm	0.372 kg	005076
Push-open waste Suitable for washbasin with overflow, Ø 63,5 mm	Ø 63.5 mm	0.34 kg	005052
Suitable products			

ME by Starck Washbasin # 233683..00 / 233683..60 / 233683..00 / 233683..60

|< 830 mm >|

Vanity unit floorstanding Number of drawers: 2, Handle, Siphon cut-out: Yes, Siphon cover: Yes, Soft self-closing automatic with damping, Lay-in compartment Optional, Necessary articles: Washbasin ME by Starck # 233683, 810 x 477 mm	810 x 477 mm	SV4644
Vanity unit wall-mounted Number of pull-out compartments: 1, Without handle, Soft self-closing automatic with damping, Tip-on fitting, Interior system Optional, Necessary articles: Washbasin ME by Starck # 233683, 234583, 234683, 820 x 481 mm	820 x 481 mm	LC6141
Vanity unit wall-mounted Number of drawers: 2, Without handle, Siphon cut-out: Yes, Siphon cover: Yes, Soft self-closing automatic with damping, Tip-on fitting, Interior system Optional, Necessary articles: Washbasin ME by Starck # 233683, 820 x 481 mm	820 x 481 mm	LC6241
Vanity unit floorstanding Number of pull-out compartments: 2, Without handle, Siphon cut-out: Yes, Siphon cover: Yes, Soft self-closing automatic with damping, Tip-on fitting, Interior system Optional, Plinth legs Optional, Necessary articles: Washbasin ME by Starck # 233683, 820 x 481 mm	820 x 481 mm	LC6626
Pedestal Type of mounting: Floorstanding, 175 x 210 mm	175 x 210 mm	085839
Siphon cover White, Type of mounting: Wall-mounted, Incl. mounting material, 170 x 300 mm	170 x 300 mm	085840
Vanity unit wall-mounted Number of pull-out compartments: 1, Handle Silver, Soft self-closing automatic with damping, Lay-in compartment Optional, Necessary articles: Washbasin ME by Starck # 233683, 234583, 234683, 800 x 475 mm	800 x 475 mm	KT6419
Vanity unit wall-mounted Number of drawers: 2, Handle Silver, Siphon cut-out: Yes, Siphon cover: Yes, Soft self-closing automatic with damping, Lay-in compartment Optional, Necessary articles: Washbasin ME by Starck # 233683, 800 x 475 mm	800 x 475 mm	KT6429
Vanity unit wall-mounted Number of pull-out compartments: 1, Handle, Soft self-closing automatic with damping, Lay-in compartment Optional, Necessary articles: Washbasin ME by Starck # 233683, 820 x 479 mm	820 x 479 mm	BR4002
Vanity unit wall-mounted Number of drawers: 2, Handle, Siphon cut-out: Yes, Siphon cover: Yes, Soft self-closing automatic with damping, Lay-in compartment Optional, Necessary articles: Washbasin ME by Starck # 233683, 820 x 479 mm	820 x 479 mm	BR4102
Vanity unit wall-mounted Number of drawers: 2, Without handle, Siphon cut-out: Yes, Siphon cover: Yes, Soft self-closing automatic with damping, Tip-on fitting, Profile: Chrome, High Gloss, Aluminum, Interior system Optional, Necessary articles: Washbasin ME by Starck # 233683, 810 x 478 mm	810 x 478 mm	XS4172
Vanity unit wall-mounted Number of pull-out compartments: 1, Handle Chrome, Soft self-closing automatic with damping, Lay-in compartment Optional, Necessary articles: Washbasin ME by Starck # 233683, 800 x 475 mm	800 x 475 mm	XB6031
Vanity unit wall-mounted Number of drawers: 2, Handle Chrome, Siphon cut-out: Yes, Siphon cover: Yes, Soft self-closing automatic with damping, Lay-in compartment Optional, Necessary articles: Washbasin ME by Starck # 233683, 800 x 475 mm	800 x 475 mm	XB6121

ME by Starck Washbasin # 233683..00 / 233683..60 / 233683..00 / 233683..60

|< 830 mm >|

Vanity unit wall-mounted Number of drawers: 2, Without handle, Siphon cut-out: Yes, Siphon cover: Yes, Soft self-closing automatic with damping, Tip-on fitting, Matt, Aluminum, Interior system Optional, Necessary articles: Washbasin ME by Starck # 233683, 810 x 480 mm	810 x 480 mm	XV4126
Vanity unit floorstanding Number of pull-out compartments: 2, Without handle, Siphon cut-out: Yes, Siphon cover: Yes, Soft self-closing automatic with damping, Tip-on fitting, Matt, Aluminum, Interior system Optional, Plinth legs Optional, Necessary articles: Washbasin ME by Starck # 233683, 810 x 480 mm	810 x 480 mm	XV4482
Vanity unit wall-mounted Number of pull-out compartments: 1, Handle, Soft self-closing automatic with damping, Lay-in compartment Optional, Necessary articles: Washbasin ME by Starck # 233683, 234583, 234683, 810 x 462 mm	810 x 462 mm	DE4262
Vanity unit wall-mounted Number of pull-out compartments: 1, Number of drawers: 1, Handle, Siphon cut-out: Yes, Siphon cover: Yes, Soft self-closing automatic with damping, Lay-in compartment Optional, Necessary articles: Washbasin ME by Starck # 233683, 810 x 462 mm	810 x 462 mm	DE4362
Recommended faucets		
Single lever basin mixer M Ceramic cartridge, Height: 175 mm, Spout reach: 113 mm, Connection type for water supply connection: Flexible connecting hoses, Dimension of connection hose: 3/8", Spray mode: Normal spray, Aerator adjustable, recommended operating pressure: 1 - 5 bar, Noise class: I, Handle version: lever handle, 143 x 41 mm	143 x 41 mm	C11020001
Single lever basin mixer M Chrome, Ceramic cartridge, Height: 170 mm, Spout reach: 139 mm, Connection type for water supply connection: Flexible connecting hoses, Dimension of connection hose: 3/8", Spray mode: Normal spray, Aerator adjustable, Temperature limit adjustable, recommended operating pressure: 1 - 5 bar, Noise class: I, Handle version: lever handle, 175 x 41 mm	175 x 41 mm	B11020001
Single lever basin mixer M Chrome, Ceramic cartridge, Height: 165 mm, Spout reach: 138,5 mm, Connection type for water supply connection: Flexible connecting hoses, Dimension of connection hose: 3/8", Spray mode: Normal spray, Aerator adjustable, Temperature limit adjustable, recommended operating pressure: 1 - 5 bar, Noise class: I, Handle version: lever handle, 175 x 41 mm	175 x 41 mm	B21020001
Single lever basin mixer Ceramic cartridge, Height: 74 mm, Connection type for water supply connection: Basic Set, Spray mode: Normal spray, Aerator adjustable, Including trim parts, recommended operating pressure: 1 - 5 bar, Noise class: I, Handle version: lever handle, Unified Water Label (UWL) Class: 1, 173 x 174 mm	173 x 174 mm	C11070003
Single lever basin mixer M Chrome, Ceramic cartridge, Height: 170 mm, Spout reach: 139 mm, Connection type for water supply connection: Flexible connecting hoses, Dimension of connection hose: 3/8", Spray mode: Normal spray, Aerator adjustable, Temperature limit adjustable, recommended operating pressure: 1 - 5 bar, Noise class: I, Handle version: lever handle, 175 x 50 mm	175 x 50 mm	B11020002

**ME by Starck Washbasin # 233683..00 / 233683..60 /
233683..00 / 233683..60**

|< 830 mm >|

<p>Single lever basin mixer Ceramic cartridge, Height: 74 mm, Connection type for water supply connection: Basic Set, Spray mode: Normal spray, Aerator adjustable, Including trim parts, recommended operating pressure: 1 - 5 bar, Noise class: I, Handle version: lever handle, Unified Water Label (UWL) Class: 1, 173 x 225 mm</p>	<p>173 x 225 mm</p>	<p>C11070004</p>
<p>Single lever basin mixer M Chrome, Ceramic cartridge, Height: 165 mm, Spout reach: 138,5 mm, Connection type for water supply connection: Flexible connecting hoses, Dimension of connection hose: 3/8", Spray mode: Normal spray, Aerator adjustable, Temperature limit adjustable, recommended operating pressure: 1 - 5 bar, Noise class: I, Handle version: lever handle, 175 x 41 mm</p>	<p>175 x 41 mm</p>	<p>B21020002</p>

All drawings contain the necessary measurements which are subject to standard tolerances. They are stated in mm and are non-binding. Exact measurements, in particular for customised installation scenarios, can only be taken from the finished piece.