

Technische Daten/ Technical Data

KLUDI RENON

concealed single lever bath-and shower mixer

Ref.: 427590575

Finishes:

05 chrome

Product description

Manufacturer KLUDI GmbH & Co. KG

Typ: KLUDI RENON

concealed single lever bath-and shower mixer

Ref.: 427590575

concealed bath-shower mixer

single lever mixer

trim set without pre-installation set

pre installation set KLUDI SLIM.BOX Ref.: 88022

trim set with functional unit

wall mounted

PUSH&SWITCH diverter

automatic diverter: shower/bath

solid lever, metal

ceramic cartridge with hot water safety device

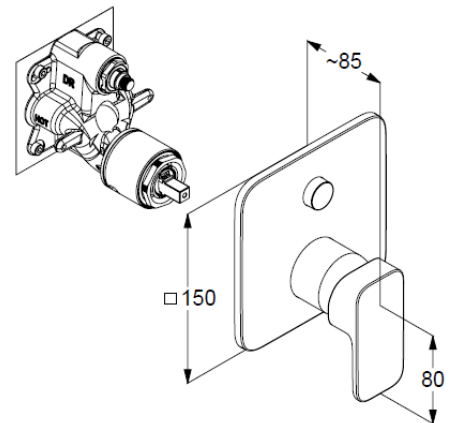
flow rate bath at 3 bar 28 l/min.

flow rate shower at 3 bar 24 l/min.

Produktabbildung/ Product picture



Maßzeichnung/ Dimensional drawing



Durchfluss/ Flow rate

