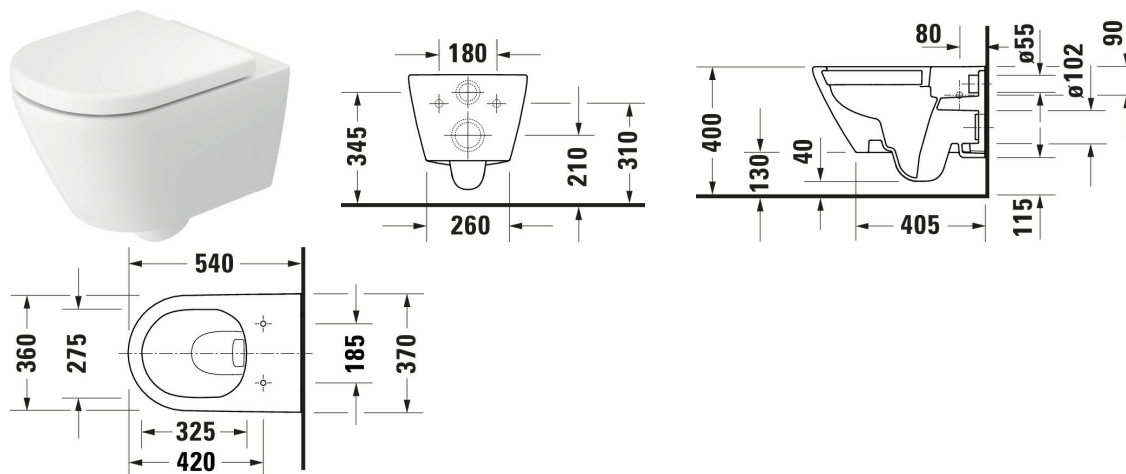


**D-Code Wall-mounted toilet # 29030900212**

| &lt; 370 mm &gt; |



Wall-mounted toilet	Dimension	Weight	Order number
Flush water quantity: 4,5 l, Washdown model, Flushing rim: Rimless, Flush principle: washdown model, Outlet drain horizontal, Incl. invisible fixation, Unified Water Label (UWL) Class: 1			
<b>Colors</b>			
00 White Alpin			
<b>Variant</b>			
◆ White High Gloss, Assembled hinge	370x360 mm	23.200 kg	29030900212
<b>Accessory for ceramics</b>			
Fixation Suitable for Wall-mounted bidet, Wall-mounted toilet	Ø 12 mm	0.69 kg	006500
<b>Accessory</b>			
Noise reduction set	420 x 390 mm	0.2 kg	005090
<b>Suitable products</b>			
Toilet seat Automatic close: No, Removable Seat, Hinge material: Stainless steel, Hinge colour: Stainless steel, 360 x 440 mm	360 x 440 mm		002841
Toilet seat Automatic close: Yes, Removable Seat, Hinge material: Stainless steel, Hinge colour: Stainless steel, 360 x 440 mm	360 x 440 mm		002849

All drawings contain the necessary measurements which are subject to standard tolerances. They are stated in mm and are non-binding. Exact measurements, in particular for customised installation scenarios, can only be taken from the finished piece.