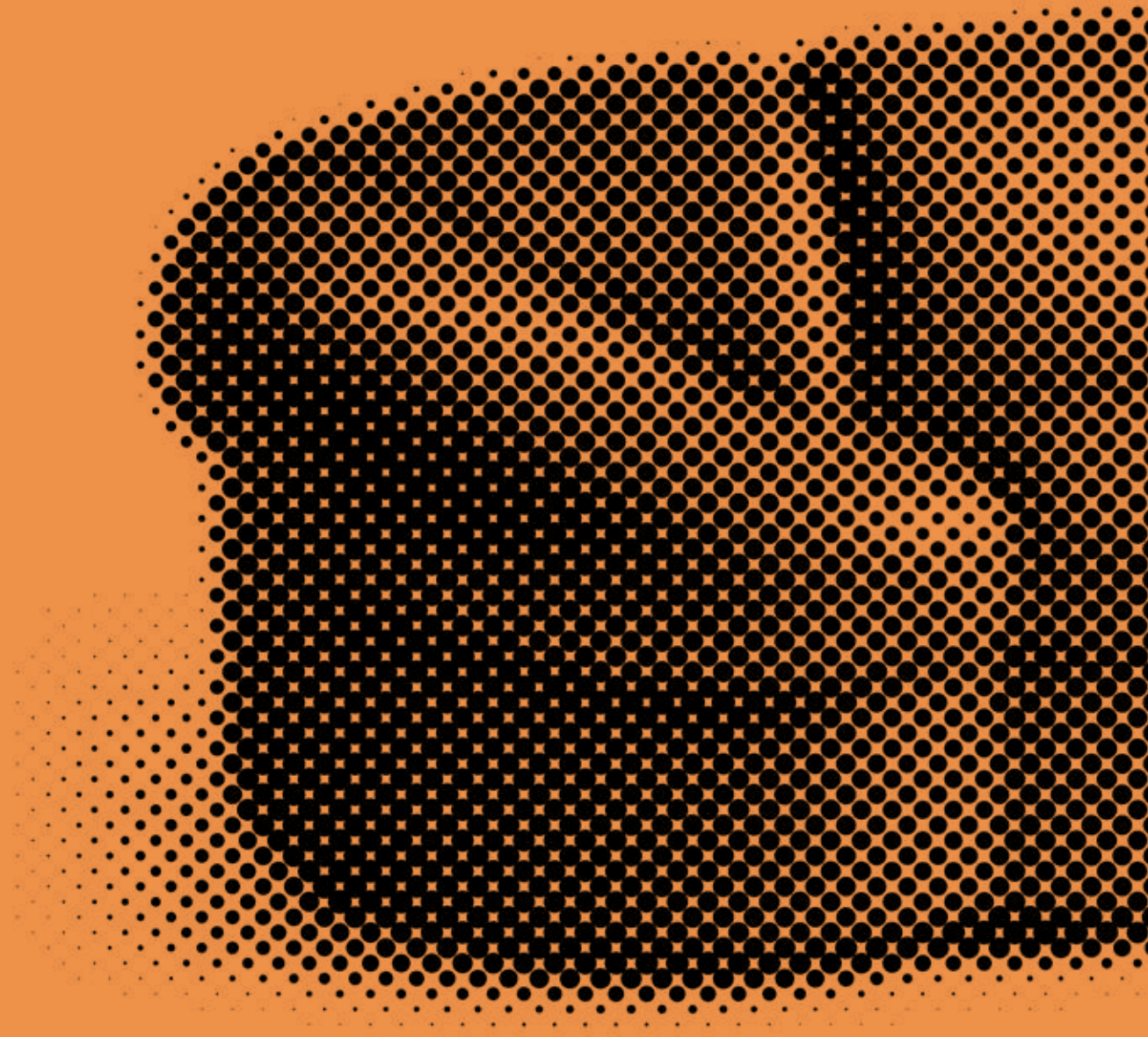




# Parka

designed by Draga & Aurel





Parka  
designed by Draga & Aurel

IMAGINATION IS THE  
BRIDGE TO THE INFINITE.



# Parka, comfort in endless possibilities.

Poltrona Frau presents its new Parka modular seating system. A collection that inaugurates an exciting collaboration with the creative duo Draga & Aurel.

Parka pays homage to the iconic jacket. From pop stars to streetwear: in the '90s the Oasis frontman (who was highly influenced by Mod's '60s fashion) managed to take an everyday garment and make it cool.



↪ Parka modular sofa, Fabric Haruka Whity / Pelle Frau® Nest Madreperla  
Parka 3-seater sofa, Pelle Frau® Nest Pietra di Sole  
Chado carpet, Pearl grey  
Bob Ø45 h 52 small table, Pelle Frau® Nest Pietra di Sole  
Pierre 150x60 small table, Marquinia marble with natural finish  
Spakler large and medium lanterns





↖ ↑ Parka modular sofa, Fabric Haruka Whity / Pelle Frau® Nest Madreperla  
↑ Parka 3-seater sofa, Pelle Frau® Nest Pietra di Sole  
Chado carpet, Pearl grey  
Pierre 150x60 small table, Marquinia marble with natural finish



➤ Parka 3-seater sofa, Pelle Frau® Nest Pietra di Sole  
Chado carpet, Pearl grey  
Bob Ø45 h 52 small table, Pelle Frau® Nest Pietra di Sole  
Pierre 150x60 small table, Marquinia marble with natural finish  
Spakler large and medium lanterns



The Parka jacket became the epitome of street style, a versatile, protective garment but soft and comfortable at the same time. Much like the iconic jacket, the Parka sofa coordinates effortlessly with all types of interiors and is extremely versatile, despite (or even because of) its strong personality. The soft lines and generously padded upholstery that skims the floor hint at comfort and relaxation. The unusual elliptical shape of the backrest, which inclines to become an armrest and then a seamless seat, creates a concave or convex space that is both audacious and welcoming, seamlessly coordinating with different styles of interiors.



## Draga & Aurel Parka

The Parka collection comprises modular elements: a concave or convex armchair without armrests or with a terminal armrest, the latter also in a maxi version, either right-side or left-side. It can be upholstered either entirely in Pelle Frau®, in the various types of leather present in the catalogue, or in a leather + fabric combination. In this case the leather is applied to the external structure, while the fabric is applied to the seat, backrest and armrest. Tone-on-tone top stitching completes the aesthetic.

Poltroña Frau





↑ ↗ Detail of Pelle Frau® Nest Almandino

↗ Parka modular sofa, Pelle Frau® Nest Almandino



Draga & Aurel

Parka





Poltrona Frau presenta la sua nuova serie di divani componibili e modulari Parka. Una collezione che segna l'inizio di una collaborazione con il duo creativo Draga & Aurel. Parka rende omaggio all'indumento classico dello streetwear anni '90, tipico della cultura grunge americana e diventato poi simbolo di un'intera generazione. Proprio come il mitico capo d'abbigliamento, Parka è un divano passe-partout facile da abbinare ed estremamente versatile, nonostante la sua forte personalità. Le linee morbide e i volumi generosi imbottiti fino a terra promettono comodità e relax. La particolare forma ellittica dello schienale, che digrada diventando bracciolo e poi seduta senza soluzione di continuità, crea uno spazio concavo o convesso al tempo stesso grintoso e accogliente, capace di adattarsi con disinvoltura a stili differenti. La collezione Parka comprende elementi modulari componibili: poltrona concava o convessa senza braccioli o con un bracciolo terminale, quest'ultimo anche in versione maxi, sempre destro o sinistro. Il rivestimento può essere completamente in Pelle Frau®, nelle varie tipologie presenti in catalogo, oppure nella combinazione pelle + tessuto. In questo caso il primo rivestimento viene applicato sulla struttura esterna, mentre il secondo alla seduta, allo schienale e al bracciolo. Le cuciture sono tono su tono.

Poltrona Frau présente sa nouvelle série de canapés modulaires Parka. Une collection qui marque le début d'une collaboration avec le duo créatif Draga & Aurel. Parka rend hommage à un vêtement désormais classique du streetwear des années 1990, typique de la culture grunge américaine et devenu par la suite le symbole de toute une génération. Tout comme ce vêtement légendaire, Parka est un canapé passe-partout, facile à combiner et extrêmement polyvalent, malgré sa forte personnalité. Les lignes douces et les volumes généreux rembourrés jusqu'au sol promettent confort et détente. La forme elliptique particulière du dossier, qui s'incline pour devenir un accoudoir puis un siège sans rupture, crée un espace concave ou convexe à la fois audacieux et accueillant, capable de s'adapter facilement à différents styles. La collection Parka comprend des éléments modulaires: un fauteuil concave ou convexe sans accoudoirs ou avec un accoudoir terminal, ce dernier également dans une version maxi, toujours à gauche ou à droite. Le revêtement peut être entièrement en cuir Pelle Frau®, dans les différents types présents dans le catalogue, ou dans la combinaison cuir + tissu. Dans ce cas, le premier revêtement est appliqué à la structure extérieure, tandis que le second est appliqué à l'assise, au dossier et à l'accoudoir. Les coutures sont de la même couleur.

Poltrona Frau推出全新Parka组合模块沙发系列。该系列标志着与创意二人组 Draga & Aurel合作的开始。这个模块化座椅系统礼赞90年代街头服饰的经典服装,美国垃圾摇滚文化的典型后来成为整整一代人的象征。正如这款传奇服饰一样,Parka虽然个性鲜明,却是一款易于搭配且极其百搭的经典沙发。柔软的线条和宽大的及地填充体积保证了舒适度和休闲度。靠背独特的椭圆形状向下倾斜成为扶手,无缝连续的座椅创造出一个凹凸的空间,大胆温馨的同时能够轻松适应不同风格。Parka系列包含组合模块化元素:不带扶手或带末端扶手的凹形或凸形扶手椅,后者还有大号版本且扶手始终位于右侧或左侧。覆面可完全采用目录中提供的各种类型的Pelle Frau®皮革或是用皮革搭配布艺。这种情况下,第一种覆面应用于外部结构,而第二种覆面则应用于座椅、靠背和扶手。缝线全是同色系的。

#### Parka — Finishes

**Upholstery.** Entirely in Pelle Frau® (also two-tone\*\*) or in options that combine multiple materials. The first upholstery is applied to the base and structure, while the second is applied to the cushion block.

- ColorSphere® (SC)
- ColorSphere® (SC) two-tone\*\*
- Nest
- Nest two-tone\*\*
- Soul
- Velvety
- ColorSphere® (SC) / Fabric A
- ColorSphere® (SC) / Fabric B
- ColorSphere® (SC) / Fabric C
- ColorSphere® (SC) / C.O.M.
- Nest / Fabric A
- Nest / Fabric B
- Nest / Fabric C
- Nest / C.O.M.
- Soul / Fabric A
- Soul / Fabric B
- Soul / Fabric C
- Soul / C.O.M.

**Removability.** Not provided.

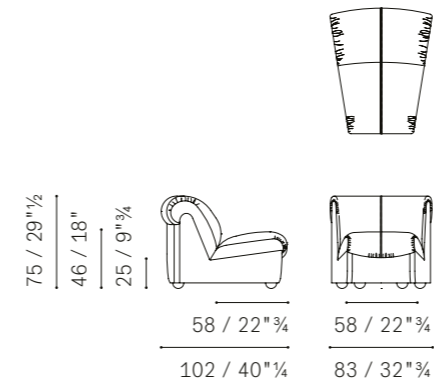
**Stitching.** Tone on tone.

**Aesthetic details.** The Poltrona Frau logo is hot-stamped on the back of the sofa's backrest.

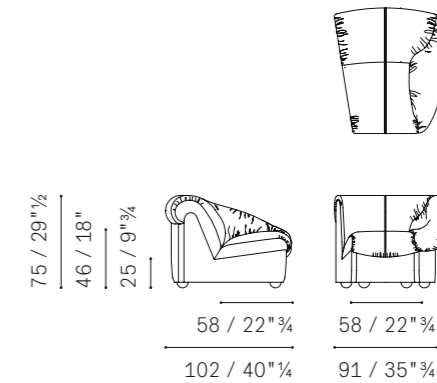


Please note:  
this catalogue shows only some technical drawings, in order  
to know all the availabilities please refer to the current price list.

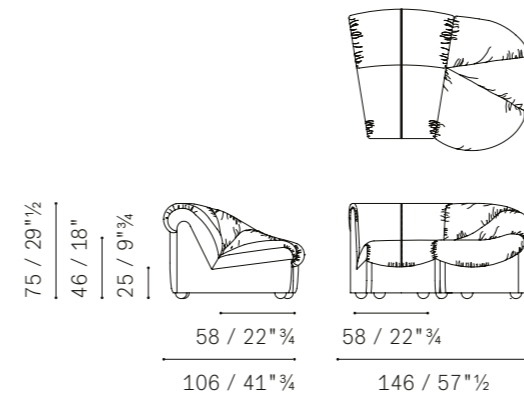
#### Parka — Concave armchair without armrests



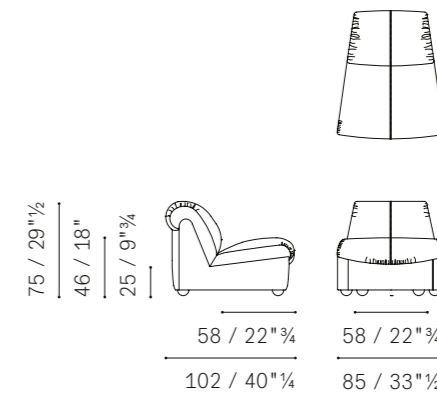
#### Parka — Concave armchair with armrest



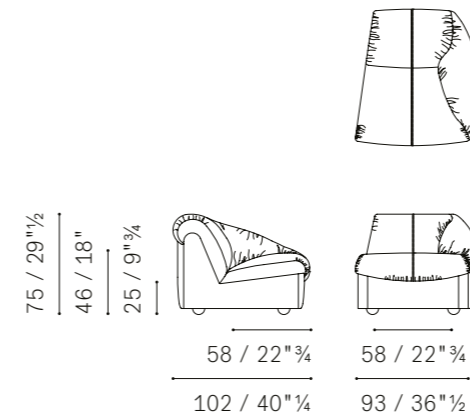
#### Parka — Convex armchair with maxi armrest



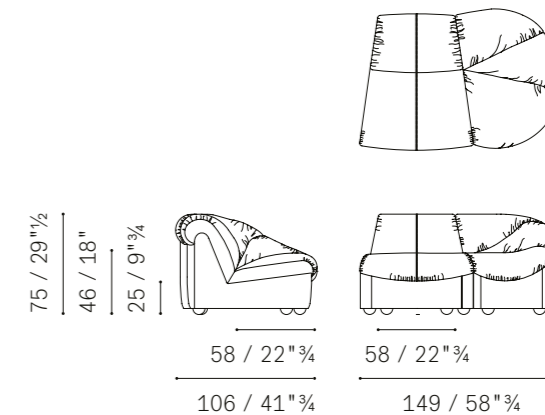
#### Parka — Convex armchair without armrests



#### Parka — Convex armchair with armrest



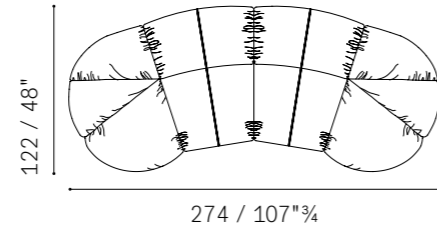
#### Parka — Convex armchair without armrests



Please note:  
 this catalogue shows only some technical drawings, in order  
 to know all the availabilities please refer to the current price list.

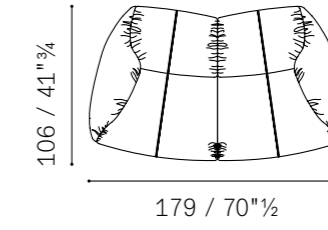
**Parka** — Layout example no. 1

- Concave armchair with left maxi armrest
- Concave armchair with right maxi armrest



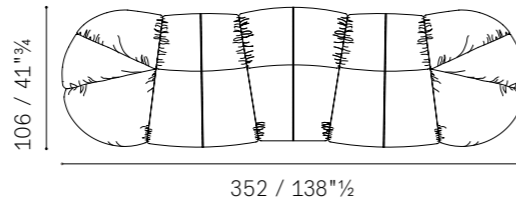
**Parka** — Layout example no. 4

- Convex armchair with left armrest
- Convex armchair with right armrest



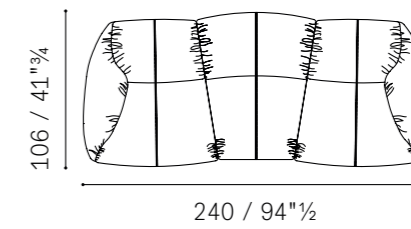
**Parka** — Layout example no. 2

- Convex armchair with left maxi armrest
- Concave armchair without armrests
- Convex armchair with right maxi armrest



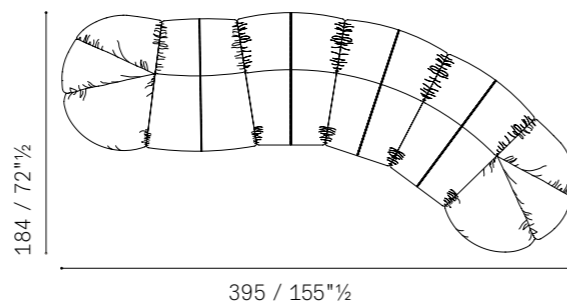
**Parka** — Layout example no. 5

- Convex armchair with left armrest
- Concave armchair without armrests
- Convex armchair with right armrest



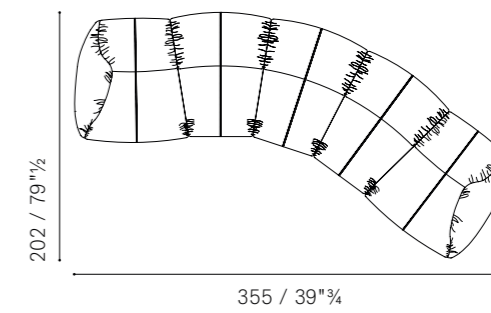
**Parka** — Layout example no. 3

- Convex armchair with left maxi armrest
- Concave armchair without armrests
- Concave armchair without armrests
- Convex armchair with right maxi armrest



**Parka** — Layout example no. 6

- Convex armchair with armrest
- Concave armchair without armrests
- Concave armchair without armrests
- Convex armchair with armrest



**CONTACTS**

Poltrona Frau S.p.A  
a socio unico  
Sede legale in Meda (MB)  
Via Luigi Busnelli 1  
20821 Italy

Sede operativa in Tolentino (MC)  
Via Sandro Pertini 22  
62029 Italy

Tel. +39 0733 909.1  
Fax +39 0733 971600

[www.poltronafrau.com](http://www.poltronafrau.com)

**CREDITS**

Project commissioned by the  
Marketing & Communications  
dept. of Poltrona Frau spa

Graphic design  
**studio FM milano**

Lifestyle CGI Photography  
**Fuorifuoco Agency**

Still-life Photography  
**Alessio D'Aniello**

Post production / Color selection  
**Pan Group Milano**

**© POLTRONA FRAU 2024**

Poltrona Frau reserves the right  
to modify the products and the  
components in this price list,  
without any prior notice.

Company with certified Quality  
Management System in accordance  
with ISO 9001, certified Environmental  
Management System  
in accordance with ISO 14001,  
certified Occupational Health  
and Safety Management System  
in accordance with BS OHSAS 18001,  
certified Chain of Custody System  
in accordance with Forest Stewardship  
Council® FSC-STD-40-004  
(FSC-C153281).

Company subject to management  
and co-ordination of Haworth Italy  
Holding S.r.l.

