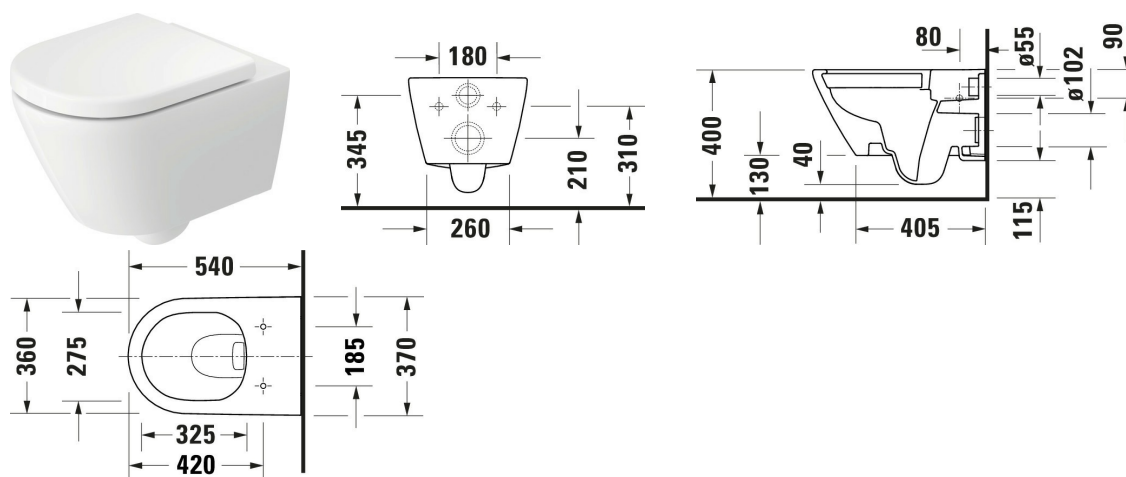


D-Code Wall-mounted toilet # 29030900212

| < 370 mm > |



Wall-mounted toilet	Dimension	Weight	Order number
Flush water quantity: 4,5 l, Washdown model, Flushing rim: Rimless, Flush principle: washdown model, Outlet drain horizontal, Incl. invisible fixation, Unified Water Label (UWL) Class: 1			
Colors			
00 White Alpin			
Variant			
◆ White High Gloss	370x360 mm	23.200 kg	29030900212
Accessory for ceramics			
Fixation Suitable for Wall-mounted bidet, Wall-mounted toilet	Ø 12 mm	0.28 kg	006500
Accessory			
Noise reduction set	420 x 390 mm	0.2 kg	005090
Suitable products			
Toilet seat Automatic close: No, Removable Seat, Hinge material: Stainless steel, Hinge colour: Stainless steel, 360 x 440 mm	360 x 440 mm		002841
Toilet seat Automatic close: Yes, Removable Seat, Hinge material: Stainless steel, Hinge colour: Stainless steel, 360 x 440 mm	360 x 440 mm		002849

All drawings contain the necessary measurements which are subject to standard tolerances. They are stated in mm and are non-binding. Exact measurements, in particular for customised installation scenarios, can only be taken from the finished piece.