

Product: **KLUDI P-Trap G 1 1/4"**

Ref.: **1025005-00**

**Product description**

P-Trap G 1 1/4"  
 G 1 1/4" x 32 mm  
 standard model  
 with outlet bend  $\varnothing$  32 x 170 mm  
 with wall flange (escutcheon)  $\varnothing$  65 mm  
 according to DIN EN 274

Finishes:  
 05 chrome

**Product picture**

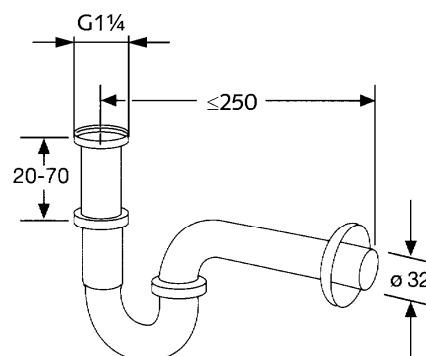


**Advertisement**

- \* KLUDI GmbH & Co KG KLUDI P-Trap item no. 1025005-00
- \*\* chrome plated brass
- \*\*\* DIN EN 274

P-Trap 1 1/4 inch, manufacturer KLUDI GmbH & Co KG KLUDI P-Trap item no. 1025005-00, standard model, chrome plated brass, rosette chrome plated diameter 65 mm, for wash basin, with outlet bend 32 mm x 170 mm, in acc. to DIN EN 19 545 / DIN EN 274, adjustable drain pipe up to 20 - 70 mm, for wall connection  $\leq$  250 mm, flow rate in accord. to EN 274 = 36,0 l/min,

**Dimensional drawing**



**Flow rate diagram**

**waste flow rate in  
 accordance to  
 DIN EN 274  
 36,0 l/min**